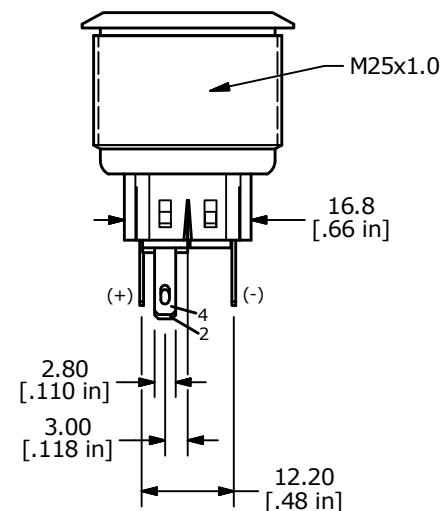
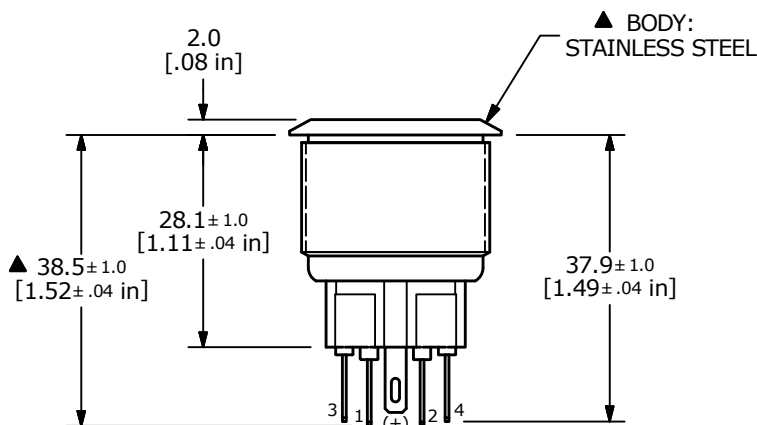
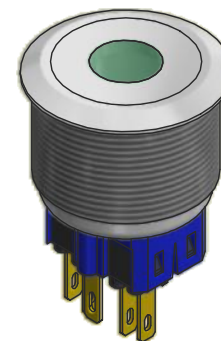
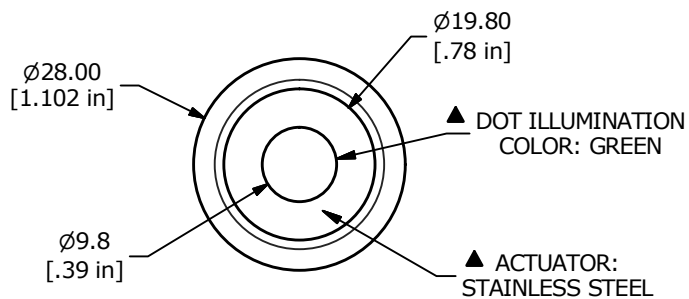
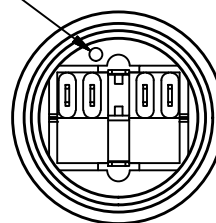


PANEL CUTOUT
MAX. PANEL THICKNESS 10mm



DOT DENOTES LED COLOR



SWITCH FUNCTION	
POS. 1	POS. 2 (MOM)
1-2	(3-4)

() = MOMENTARY



3 0 0 4
GREEN (FORWARD)



GREEN (REVERSE)

▲ SPDT ON-(OFF) / OFF-(ON)
CONTACT CONFIGURATION

NOTE:

1. ALL DIMENSIONS IN MM [INCH]
2. GENERAL TOLERANCE: X.X = ± 0.4
X.XX = ± 0.25
3. TERMINAL NOS. FOR REF. ONLY
- ▲ 4. RATING: 2A @ 48VDC
5. CONTACT RESISTANCE: 50mΩ MAX. @ 1A 12VDC
6. INSULATION RESISTANCE: 1,000MΩ @ 500VDC
7. DIELECTRIC STRENGTH: 2,000VAC MIN. FOR 1 MINUTE
8. ELECTRICAL LIFE: 50,000 CYCLES
9. OPERATING TEMPERATURE: -20°C to 55°C
10. INGRESS PROTECTION: IP65
11. SUPPLIED HARDWARE: O-RING AND HEXNUT
12. ▲ DENOTES CRITICAL PARAMETER
13. 2011/65/EU (ROHS) COMPLIANT
- ▲ 14. ILLUMINATION VOLTAGE: 24V



TITLE PV8F2Y0SS-235				
SCALE 1:1	DATE 6/11/2018	DR MW	DWG 52-PV8F2Y0SS235	REV A